

SKS-35 Single Output Switching Power Supply

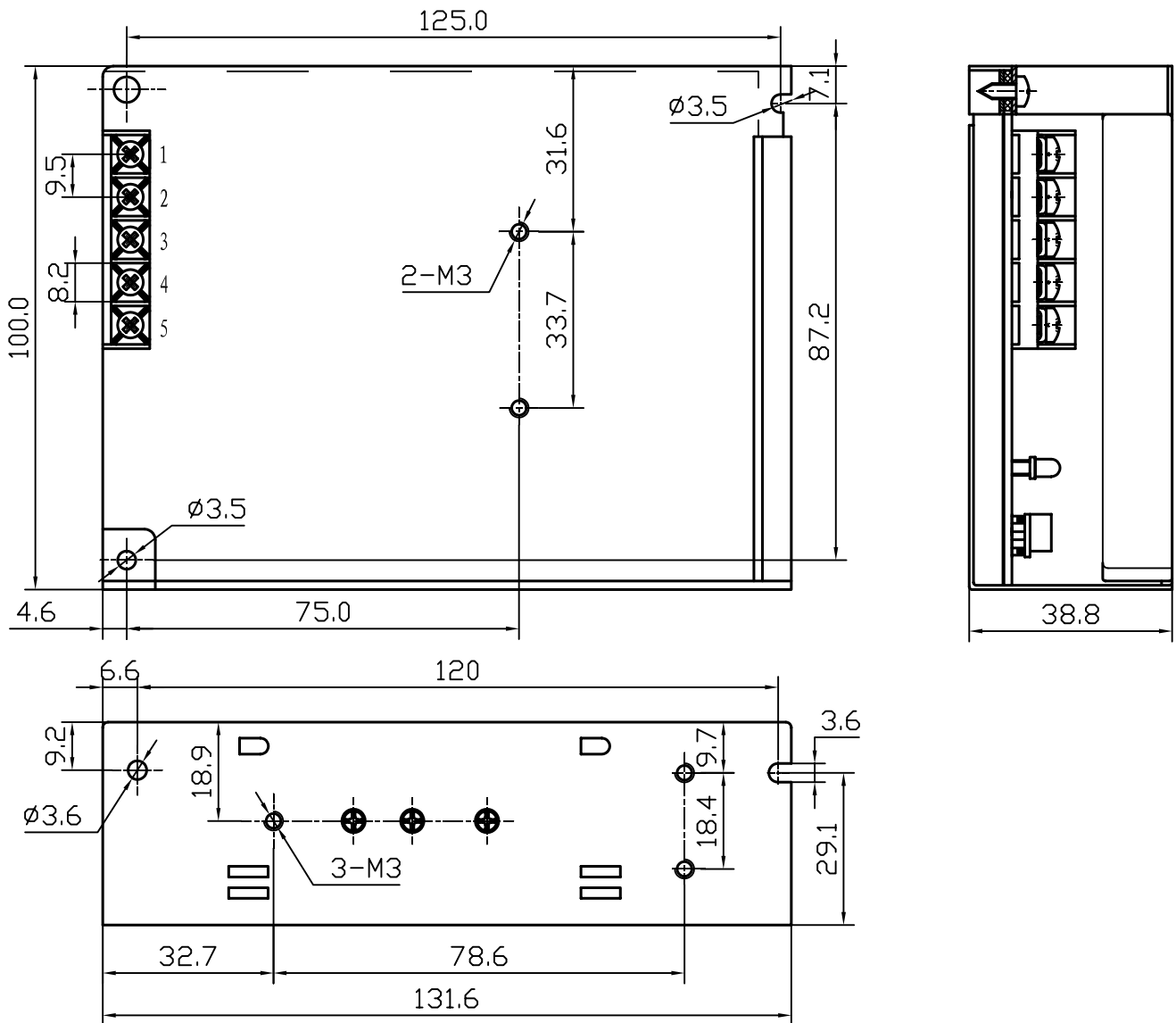
Features:

- High efficiency, high reliability, low cost
- AC input range selected by switch
- Protections: Short circuit / Over load
- LED indicator for power on
- Fixed switching frequency at 37KHz
- Cooling by free air convection
- 1 year warranty
- Dimensions: 129*98*38mm (L*W*H)



MODEL		SKS-35-5	SKS-35-9	SKS-35-12	SKS-35-15	SKS-35-24
OUTPUT	DC VOLTAGE	5V	9V	12V	15V	24V
	VOLTAGE TOLERANCE	±2%	±1%	±1%	±1%	±1%
	RATED CURRENT	7A	3.6A	3A	2.4A	1.5A
	CURRENT RANGE	0-7A	0-3.6A	0-3A	0-2.4A	0-1.5A
	RATED POWER	35W	32.4W	36W	36W	36W
	RIPPLE & NOISE	75mVp-p	100mVp-p	100mVp-p	100mVp-p	100mVp-p
	DC ADJUSTMENT RANGE	-5%,+10%	±10%	±10%	±10%	±10%
	SETUP, RISE, HOLD TIME	200ms,100ms,30ms at full load				
INPUT	VOLTAGE RANGE	85~132 VAC/170~264VAC 47~63 Hz; selected by switch 240~370VDC				
	AC CURRENT	0.8 A/115 V 0.45A/ 230 V				
	EFFICIENCY	70%	72%	76%	78%	78%
	INRUSH CURRENT	Cold start 18A/115V 36A/230V				
	LEAKAGE CURRENT	<2mA/240VAC				
PROTECTION	OVER LOAD	110%~160%				
		Protection type: Shut down o/p voltage, recovers automatically after fault condition is removed				
ENVIRONMENT	WORKING TEMP., HUMIDITY	-10℃~+60℃; 20%~90 %RH				
	STORAGE TEMP., HUMIDITY	-20℃~+85℃; 10%~95 %RH				
	VIBRATION	10~500Hz, 2G 10min./1cycle, period for 60min, each along X, Y, Z axes				
SAFETY	WITHSTAND VOLTAGE	I/P-O/P: 1.5KVAC I/P-FG: 1.5KVAC O/P-FG: 0.5KVAC				
	ISOLATION RESISTANCE	I/P-O/P, I/P-FG, O/P-FG: 100M Ohms/500VDC				
STANDARD	SAFETY STANDARD	Design refer to UL1012				
	EMC STANDARD	Design refer to FCC Part15 J Conduction Class B				
OTHERS	WEIGHT	0.41Kg				
	PACKING	30pcs/13.4Kg/0.86CUFT				
NOTE	1. All parameters NOT specially mentioned are measured at 230VAC input, rated load and 25℃ of ambient temperature. 2. Ripple & noise are measured at 20MHz of bandwidth by using a 12" twisted pair-wire terminated with a 0.1 μ & 47 μ parallel capacitor. 3. Tolerance: includes set up tolerance, line regulation and load regulation					

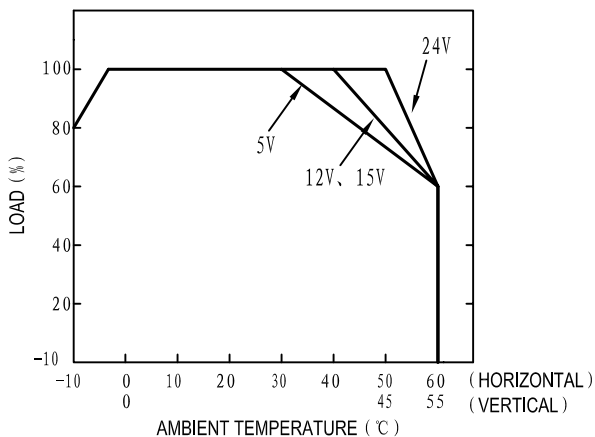
■ Outline and Dimension:



Terminal Pin No. Assignment:

Pin No.	Assignment	Pin No.	Assignment
1	AC/L	4	DC OUTPUT -V
2	AC/N	5	DC OUTPUT +V
3	FG ⊕		

■ Derating Curve



■ Static Characteristics (24V)

